

Struck News Release

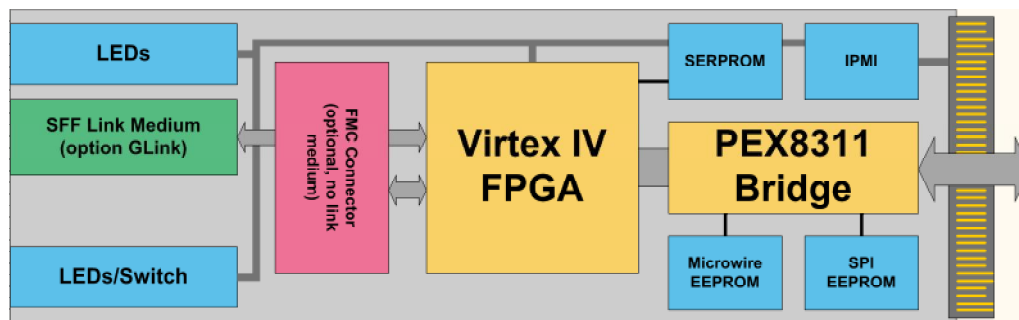
13.12.08 for immediate release

www.struck.de

Struck announces xTCA market entry

Struck Innovative Systeme -a supplier of high performance data acquisition products- today announced its entry into the μ TCA/ATCA market. The first product to be developed will be the extension of the optical link based VME interface family. The upcoming SIS8100 will be a single width mid height AMC (Advanced Mezzanine Card) that interfaces to the SIS3104 VME controller or custom front end designs. Link speeds of 1, 2.5 and 4 GBit/s will be supported. A single lane PCI Express interface will be used on the backplane. The second stuffing option of the SIS8100 will be a Vita 57 (FMC) FPGA Mezzanine Card carrier that enables frontend I/O mezzanines to interface to the Virtex IV FPGA's resources.

SIS8100 Block Diagram



photograph: www.istockphoto.com